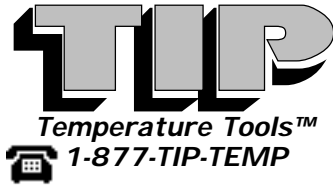
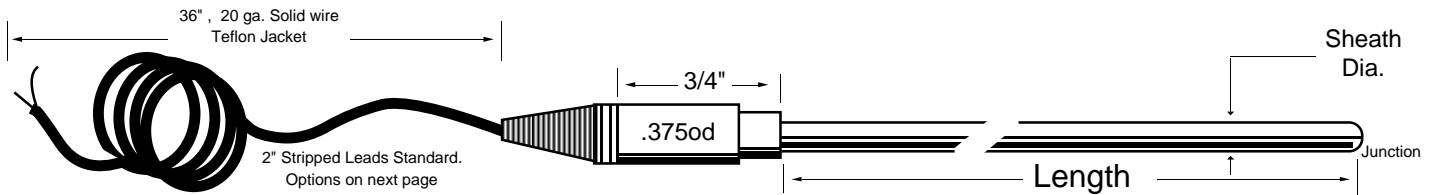


Heavy Duty Transition Thermocouple Assemblies



- Standard 36" Teflon leads - other lengths available.
- NIST Certificate Of Calibration Available. See page 13
- 316 SS & Inconel bendable Sheath
- Dual Thermocouple Available. See Option 2
- Premium Thermocouple Available. See Option 1
- Quantity Discounts Available. See Page 2
- Blanket orders will result in lower pricing.

HOW TO ORDER Select OUTLINED Text To Create Part Number

Style	Calibration	Sheath Material	Sheath Dia.	Junction	Length	Pricing For All T/C's
TC16	+ Iron - Constantan J Black 32 to 1400°F 0 to 760°C	SS 316 Stainless Steel Most Common Max Temp. 1700°F / 926°C Recommended for general purpose chemical applications. Food Applications!	116 1/16" or .062	GROUNDED (Most Common) The element is welded directly to the tip of the sheath. This provides better protection against corrosive and mechanical damage than does the exposed junction. The response time is relatively fast.	Specify Length	1/16"-1/8"- 3/16" DIAMETER THERMOCOUPLE : 1" TO 12" \$32.00 13" TO 24" \$34.50 25" TO 36" \$37.00 37" TO 48" \$39.50 49" TO 60" \$42.00 61" TO 72" \$44.50 EACH ADD'L 12" INCREMENT \$3.00
	+ Copper - Constantan T Blue -320 to 700°F -195 to 370°C		18 1/8" or .125			
	+Chromel - Constantan E Purple 32 to 1600°F 0 to 900°C	IN INCONEL 600 Max Temp. 2100°F / 1150°C Recommended for gas furnaces, lead baths, and bath mixture containing cyanide. Do not use in salt baths contaminated by sulphur	316 3/16" or .187	in inches		
	+ Chromel - Alumel K Yellow 32 to 2300°F 0 to 1260°C		14 1/4" or .250		UNGROUNDED The welded junction is imbedded in the insulation away from the welded end. This provides protection from electrical interference as well as corrosive and mechanical damage. Response time is slow.	

SEE OPTION 1 SEE OPTION 2 SEE OPTION 3 SEE OPTION 4

TC16 - J - SS - 14 - U - 12 = \$38.00

Sample Part Number \$3.00 \$35.00

Additional Options

1. Premium T/C increases sensor accuracy. Use Prefix "P", see page 55 for more info (Price x 1.25)
2. Duplex thermocouple insert double calibration letters. Example KK (Price x 1.50)
3. Special Sheath Material is available, see page 52.
4. Teflon coated Thermocouple, use suffix **TEFLON** (1st 12" = \$20.00, each add'l 12" add \$10.00)
5. Weld Pads are available add suffix **WP-Style** →
6. Adjustable Compression Fittings are on page 21.

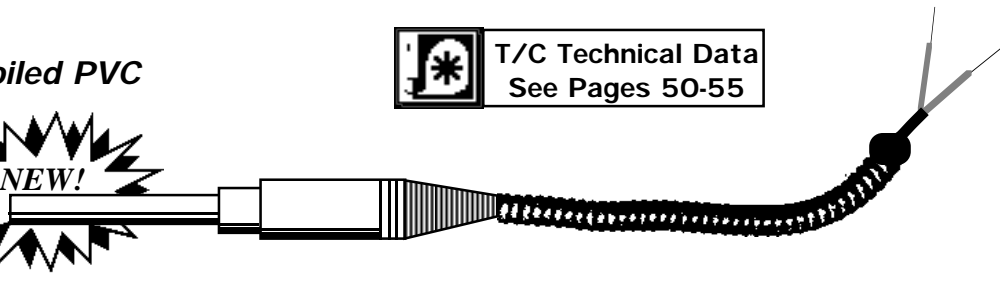
Parallel (PL) 1" x 1" SS = \$15., INC = \$20.
 Perpendicular (PL90) 1" x 1" SS = \$20., INC = \$25.
 Curved* (CV) 1" x 1" SS = \$20., INC = \$25.
 *Specify Pipe Radius → One time \$50.00 Set Up Charge

Lead Configurations For TC15 -TC16 - MTC16 - RTD16

Coiled PVC



T/C Technical Data
See Pages 50-55



Add the following suffixes to your part number

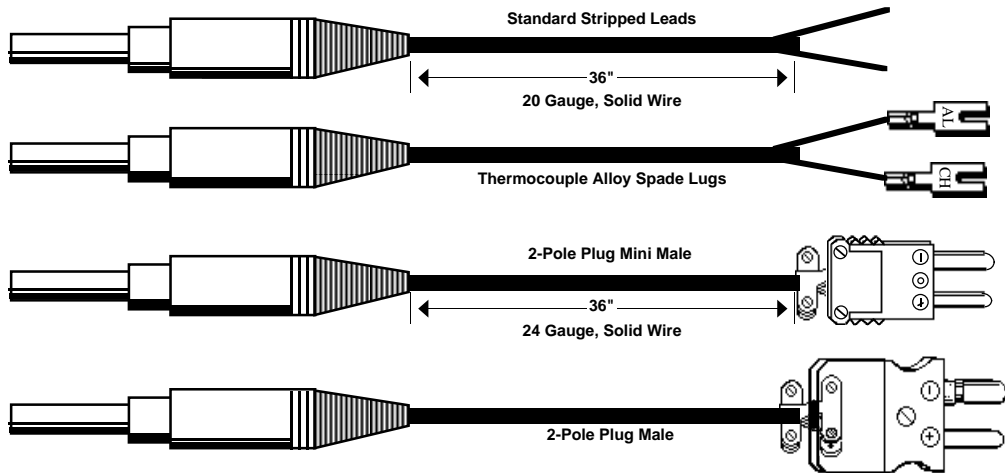
COILED PVC CABLE

CC1 \$10	1 FT length extends to 5FT	\$4	L T/C Alloy Lug
CC2 \$15	2 FT length extends to 10FT	\$6	MM Mini Plug
CC3 \$20	3 FT length extends to 15FT	\$6	M Std. Plug

* Extra Coiled PVC lead lengths available:

Add \$5.00 each additional Ft.

Standard Teflon Leads



Standard lead length is 36"

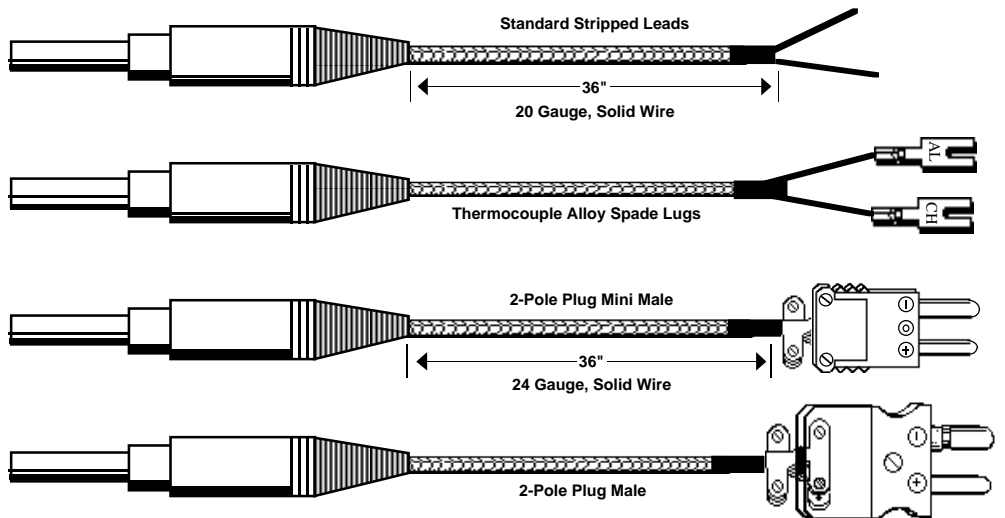
* Extra lead lengths over 36":
Add \$1.00 each additional Ft.

Jacket	Wire	Length	Option
TT Teflon Jacket 260°C/500°F	20 ga. is Standard 20 Others are Available	Specify Length in inches. Go to Wire page #40 & 41. Use 1 to 25Ft. price.	L \$4.00 T/C Alloy Lug MM \$6.00 Mini Plug M \$6.00 Std. Plug
GG Fiberglass Jacket 482°C/900°F	For Stranded Wire add S		

Sample TT-20 = 48 = MM
\$1.48 \$6.

Adding Suffix TT-20-48-MM calls out 48" of teflon leads with mini plug. \$7.00

Stainless Steel Overbraid



Standard lead length is 36"

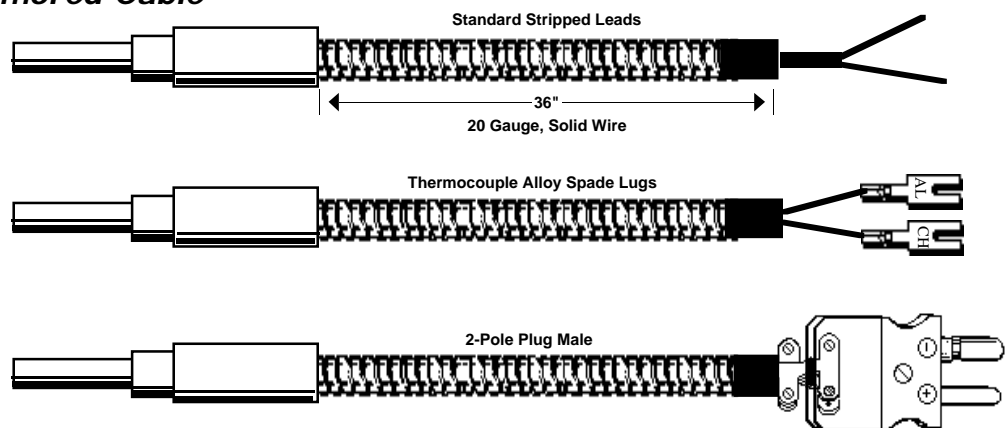
* Extra SSOB lead lengths over 36":
Add \$1.50 each additional Ft.

Jacket	Wire	Length	Option
SSOB Stainless Steel Overbraid Add \$5.00 for first 36" Add \$1.50 each add'l Foot.	20 ga. is Standard 20 Others are Available	Specify Length in inches. Go to Wire page #40 & 41. Use 1 to 25Ft. price.	L \$4. T/C Alloy Lug MM \$6 Mini Plug M \$6 Std. Plug
	For Stranded Wire add S		

SSOB-24S-36-MM

Adding Suffix SSOB-24S-36-MM calls out 36" of Stainless Steel Overbraid, 24 ga.wire Stranded, with mini plug. \$9.00

Armored Cable



Standard lead length is 36"

* Extra ARCA lead lengths over 36":
Add \$3.00 each additional Ft.

Jacket	Wire	Length	Option
ARCA Armored Cable Add \$10.00 for first 36" Add \$3.00 each add'l Foot.	20 ga. is Standard 20 Others are Available	Specify Length in inches. Go to Wire page #40 & 41. Use 1 to 25Ft. price.	L \$4 T/C Alloy Lug MM \$6 Std. Plug
	For Stranded Wire add S		

ARCA - 20 - 60

Adding Suffix ARCA- 20 - 60 calls out 60" of Armored Cable w/ stripped leads. \$16.00