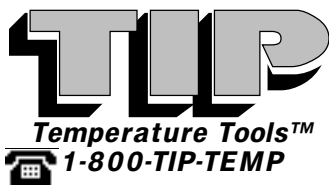


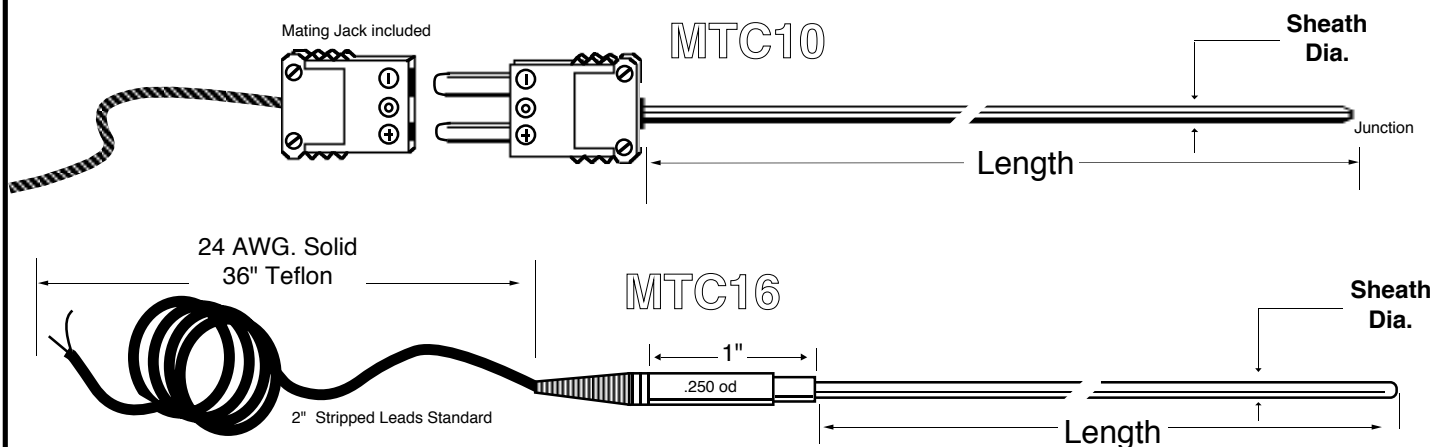
Miniature Thermocouple Assemblies



- Sub-miniature plug with mating jack
- NIST Certificate Of Calibration Available. See page 13
- 316 SS & Inconel, Bendable Sheath.
- Dual Thermocouple Available. See Option 2
- Premium Thermocouple Available. See Option 1
- Quantity Discounts Available. See Page 2.
- Blanket Orders will result in lower pricing.

HOW TO ORDER

Select **OUTLINED** Text To Create Part Number



Style	Calibration	Sheath Material	Sheath Dia.	Junction	Length	Pricing
MTC10 Plug & Jack Style Shown above	+ Iron - Constantan J Black 32 to 1400°F 0 to 760°C	SS 316 Stainless Steel Most Common Max Temp. 1700°F / 926°C Recommended for general purpose chemical applications. Food Applications!	010 0.010"	G ROUNDED (Most Common) The element is welded directly to the tip of the sheath. This provides better protection against corrosive and mechanical damage than does the exposed junction. The response time is relatively fast.	Specify	.032 & .040 DIAMETER THERMOCOUPLE 1" TO 12" \$32.00 13" TO 24" \$33.50 25" TO 36" \$35.00 37" TO 48" \$36.50 49" TO 60" \$38.00 61" TO 72" \$39.50 EACH ADD'L 12" INCREMENT \$1.80
MTC11 W/O Mating Jack	+ Copper - Constantan T Blue -320 to 700°F -195 to 370°C	IN INCONEL 600 Max Temp. 2100°F / 1150°C Recommended for gas furnaces, lead baths, and bath mixture containing cyanide. Do not use in salt baths contaminated by sulphur	020 0.020"	E XPOSED Bare thermocouple wires are butt-welded and insulation is sealed. Exposed tip provides fastest possible response time, but leaves element without protection against corrosive or mechanical damage.	Length	13" TO 24" \$33.50 25" TO 36" \$37.00 37" TO 48" \$39.50 49" TO 60" \$42.00 61" TO 72" \$44.50 EACH ADD'L 12" INCREMENT \$3.00
Deduct \$3.00	+ Chromel - Constantan E Purple 32 to 1600°F 0 to 900°C		032 0.032"			
MTC16 Transition Style Shown above	+ Chromel - Alumel K Yellow 32 to 2300°F 0 to 1260°C		040 0.040"		in	1" TO 12" \$32.00 13" TO 24" \$34.50 25" TO 36" \$37.00 37" TO 48" \$39.50 49" TO 60" \$42.00 61" TO 72" \$44.50 EACH ADD'L 12" INCREMENT \$3.00
SEE OPTION 1	SEE OPTION 2	SEE OPTION 3	116 1/16" or .062		inches	UNGROUND PROBES ADD \$3.00
			18 1/8" or .125			

MTC10 - **J** - **SS** - **116** - **U** - **12** = \$35.00
 Sample Part Number \$3.00 \$32.00 Suffix

Additional Options

1. Premium T/C increases sensor accuracy. Use Prefix "P", see page 55 for more info. (Price x 1.25)
2. Duplex thermocouple insert double calibration letters. Example **KK** (Price x 1.50)
3. Special Sheath Material is available, see page 52.
4. Special Sheath Diameters available, call for availability.
5. Teflon coated Thermocouple, use suffix **TEFLON** (1st 12" = \$20.00, each add'l 12" add \$10.00)



T/C Technical Data
See Pages 50 - 55