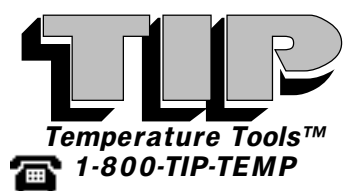
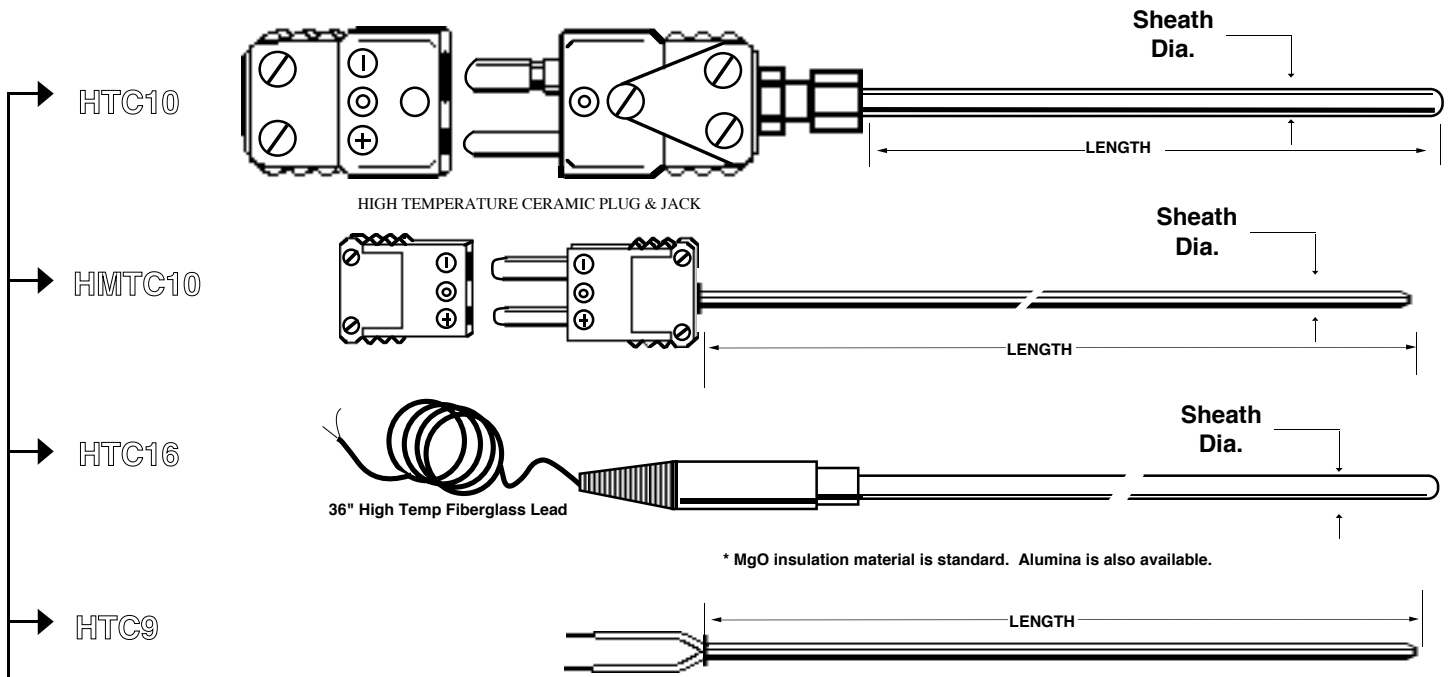


# High Temperature Exotic Thermocouples



Exotic thermocouples are designed for use in extreme temperatures, up to 4200°F. Depending on sheath material selected, these probes may be used in oxidizing, inert, reducing or vacuum atmospheres. T/C Technical Data See pages 50 - 55

## HOW TO ORDER Select OUTLINED text to create Part Number

STYLE	T/C CALIBRATION	SHEATH MATERIAL	SHEATH DIA.	JUNCTION	LENGTH	OPTION
<b>ENTER STYLE NUMBER</b>	<b>R</b> MAX Temp: 2700°F / 1482°C 13%Rh-Pt vs Pt	<b>PT10</b> Platinum 10% Rhodium MAX Temp. 3000°F / 1650°C Working environment-Oxidizing Inert. No attack by SO2 at 2000°F. Silica is detrimental. Halogens attack at high temp.	<b>116 = 1/16"</b>	<b>GROUNDED</b> The element is welded directly to the tip of the sheath. This provides better protection against corrosive and mechanical damage. The response time is relatively fast.	<b>Specify Length In Inches</b>	Simple Part Number Changes And Suffixes Allow You To Easily Order Modifications To This Assembly. Call Our Application Engineers to discuss your Needs.
	<b>S</b> MAX Temp: 2700°F / 1482°C 10%Rh-Pt Vs Pt	<b>MOL</b> Molybdenum MAX Temp. 4000°F / 2200°C Sensitive to Oxidation above 400°F	<b>18 = 1/8"</b>			
	<b>B</b> MAX Temp: 3100°F / 1710°C 30%Rh-Pt Vs 6% Rh-Pt	<b>INC</b> Inconel 600 MAX Temp. 2100°F / 1150°C Excellent resistance to Oxidation at high temp. Hydrogen tends to Embrittle. Very sensitive to sulfur corrosion.	<b>316 = 3/16"</b>	<b>UNGROUNDED ( Preferred )</b> The welded junction is imbedded in the insulation away from the welded end. This provides protection from electrical interference as well as corrosive and mechanical damage. Response time is slower than the grounded junction.		
	<b>C</b> MAX Temp 4200°F / 2300°C Tung 5%Rh Vs Tung 26%Rh Other Tung/Rh calibrations available, call.....  * DUPLEX add additional calibration code EX: RR	<b>TAN</b> Tantalum MAX Temp. 2800°F / 2300°C Working environment - Vacuum. Resists many acids and weak alkalis. Very sensitive to Oxidation above 570°F	<b>14 = 1/4"</b>			

HTC10

STYLE

R

CALIBRATION

TAN

SHEATH MATERIAL

14

SHEATH DIA.

U

JUNCTION

12

LENGTH

OPTION

SAMPLE PART NUMBER ( HTC10 - R - TAN - 14 - U - 12 ) CALLS OUT: Style HTC10 (High Temp EXOTIC T/C w/ High temp plug & jack) - R calibration - Tantalum Sheath - 1/4" od - Ungrounded junction - 12" length.