

RECOMMENDED PRODUCT PLACEMENT

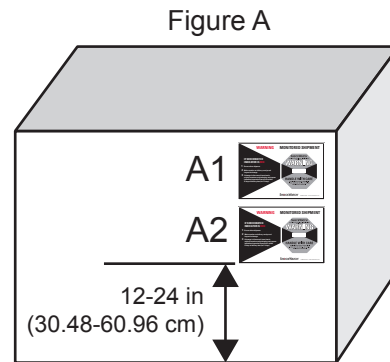
L-55 PURPLE - 37G's at 50ms (milliseconds)

PLACEMENT OF LABELS:

- A1. For Packages 50 - 100 lbs (22.68 - 45.36 kg)
Placement is in upper right corner of the package.

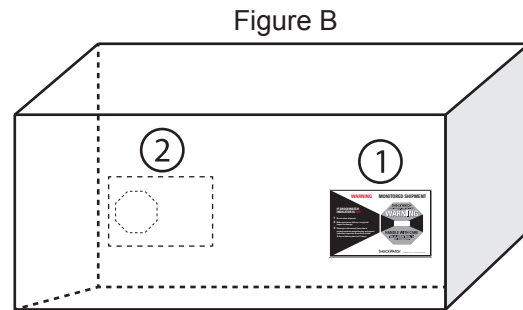
See Figure A - A1.

- A2. For Packages 100-500 lbs (45.36 - 226.8 kg)
Placement is along the right edge,
12-24 inches (30.48 - 60.96 cm) from the
bottom of the package. See Figure A - A2.



- B. If the package is twice as long as it is wide,
or palletized shipments use two labels.
Place a second indicator in the same position
on the opposite side of the package.

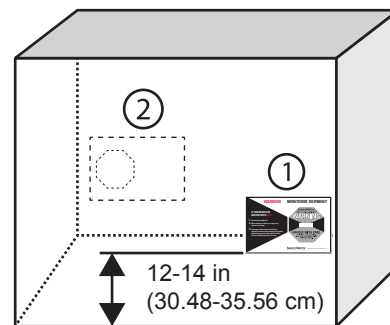
See Figure B.



L-65 YELLOW - 25G's at 50ms (milliseconds)

PLACEMENT OF LABELS:

- A. Place ShockWatch label 12 - 14 in (30.48 - 35.56 cm)
from the bottom of the box. Place a second indicator
in the same position on the opposite side of the package.



- B. If the package is twice as long as it is wide,
or palletized shipments use two ShockWatch labels.
Place a second indicator in the same position
on the opposite side of the package.

